

GUIDES FOR MOUNTING TO FLAT PLATES

Guides for mounting to flat plates

A range of clip in guides is available for holding PCB's. These guides can be fitted to simple plates of the appropriate thickness

Anti-Vibration Guides

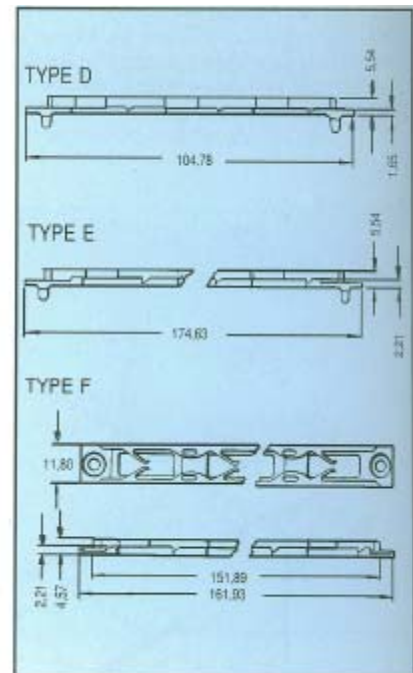
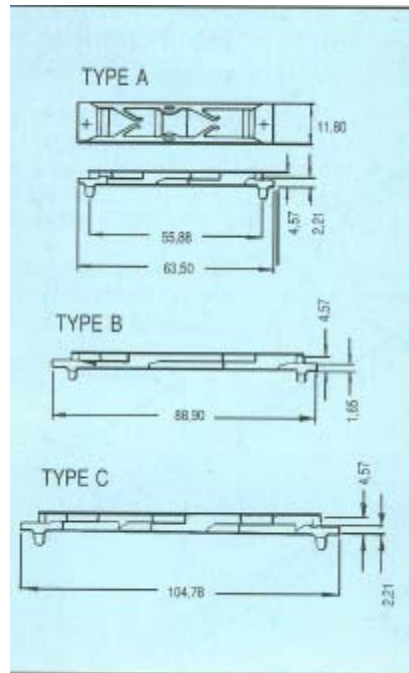
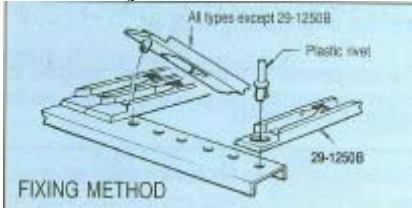
Moulded-in fingers, occurring at frequent intervals down the length of the card slot act as pressure pads, suitable for board thickness of 1.6mm. The guides have also been designed to present maximum surface areas resulting in maximum air circulation.

MATERIAL SPECIFICATION

Material- Nylon 66

Colour- Black

Flammability Characteristics- UL94V-2



CONTENTS OF KIT

Supplied singly

Material thickness for fixing anti-vibration guides.

Min 1,52 Max 1,78

Because of the hygroscopic effect of moisture on Nylon 66 it is recommended that one of the holes should be obround 3.30 * 3.80 to allow for variation in length if used to potentially humid atmosphere.

Clip-In Guides

Available in three lengths

A range of guides providing a quick and simple method of circuit board mounting for a wide range of applications.

- Suitable for 1.6mm boards
- Simple to fix- integral pip gives maximum retention with no further fixings required
- Tapered guide entry in two planes for ease and accuracy of PCB insertion
- 2mm channel depth gives good card locations without wasted PC area
- Unlimited Card spacing
- No special tooling required

MATERIAL SPECIFICATION

Material: Nylon 66

Colour: Black

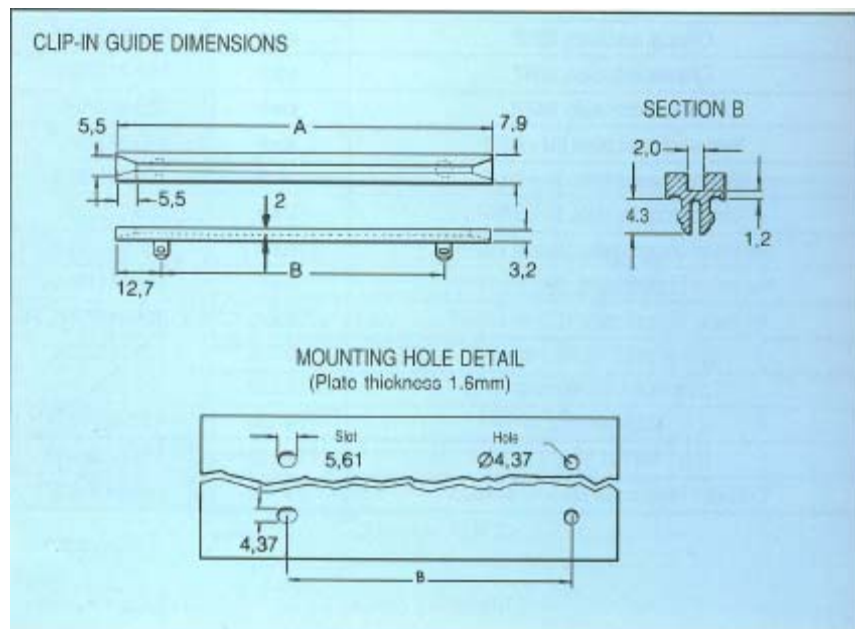
Flammability Characteristics UL94V-2

Clip-in Guides

Ordering information

A	B	Order code
101,6	76,2	29-0122C
139,7	76,2	29-0124D
177,8	152,4	29-0126E

Type	Fixing hole pitch	Fixing hole dia.	Order code
A	55,88	3,30 +	29-1246L
B	76,20	3,30 +	29-1247F
C	92,08	3,30 +	29-1248A
D	92,08	3,30 +	29-1249G
E	161,93	3,30 +	29-1251H
F	151,89	3,45 +	29-1250B
Plastic rivet for use with 29-1250B only supplied in packets of 100			29-1345J



Vero Technologies

Tel. No: +44(0) 1489-776933 E-mail: sales@verotech.co.uk