

Extruded Aluminium Enclosures for Eurocards

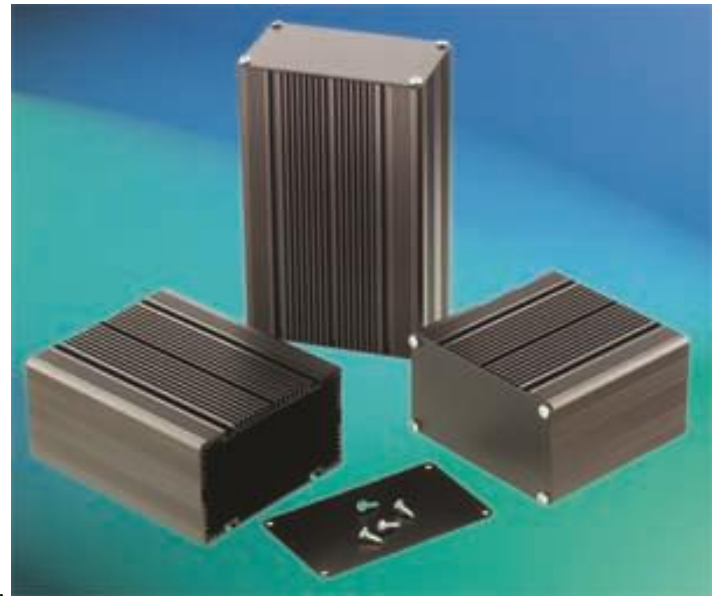
General purpose enclosure case manufactured from aluminium extrusion section with a removable top cover to allow easy access for assembly and installation of component parts.

Specifically developed to offer a stylish yet robust off the shelf item within which to mount electronic circuitry and components.

The external surface of the enclosure incorporates a series of ribbed fins to aid heat dissipation, T slots have been provided on both the side and base of the enclosure proving mounting facilities.

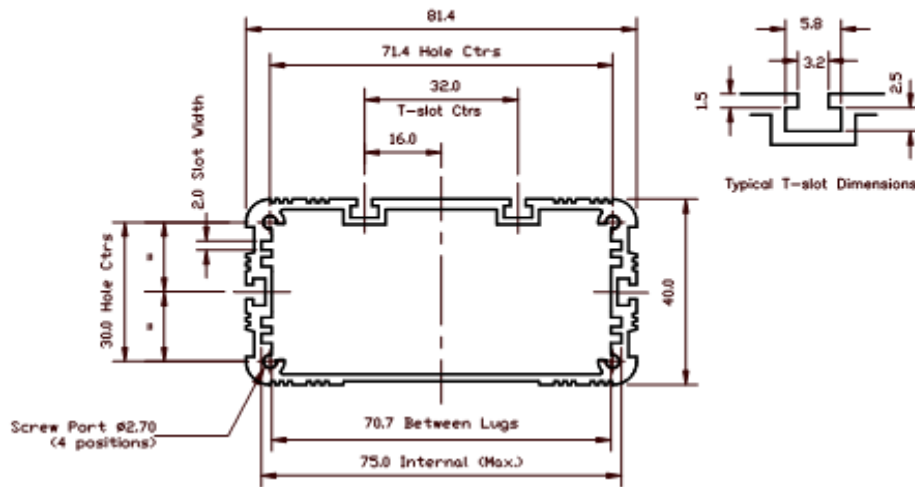
Multi-position PCB slots have been provided inside of the enclosure case and will accept eurocard size PCBs.

The enclosure case is supplied complete with 2 x 1.5mm aluminium end plates and stainless steel fixing screws.

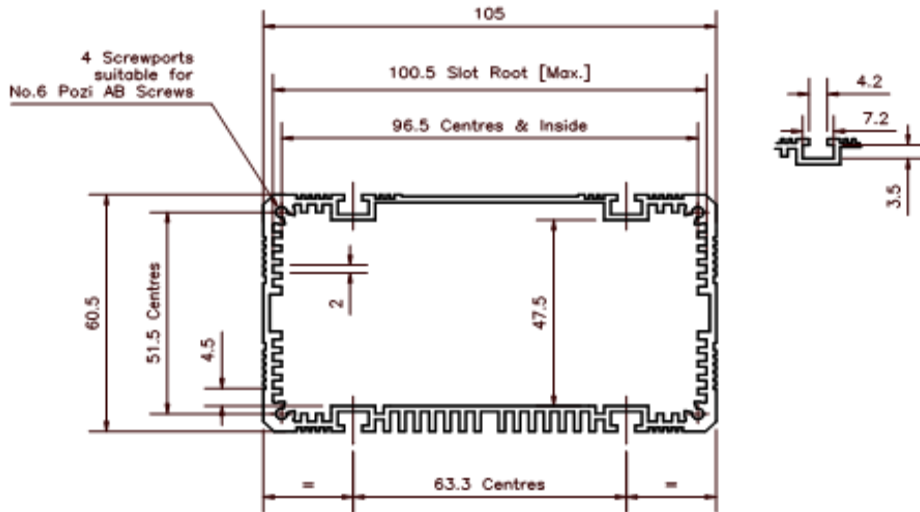


Vero Part Numbers/ Description	Assy. No.	Width	Height	Length
Enclosure Case - 3/4 Euro Card				
14-0001	E003/001	81.4	40	100
14-0002	E003/002	81.4	40	125
14-0003	E003/003	81.4	40	165
14-0004	E003/004	81.4	40	200
14-0005	E003/005	81.4	40	225
14-0006	E003/006	81.4	40	285
Enclosure Case - Euro Card				
14-1001	E005/001	105	60.5	100
14-1002	E005/002	105	60.5	125
14-1003	E005/003	105	60.5	165
14-1004	E005/004	105	60.5	200
14-1005	E005/005	105	60.5	225
14-1006	E005/006	105	60.5	285
Enclosure Case - Euro Card with removable panel				
14-2001	E006/001	105	60.5	100
14-2002	E006/002	105	60.5	125
14-2003	E006/003	105	60.5	165
14-2004	E006/004	105	60.5	200
14-2005	E006/005	105	60.5	225
14-2006	E006/006	105	60.5	285

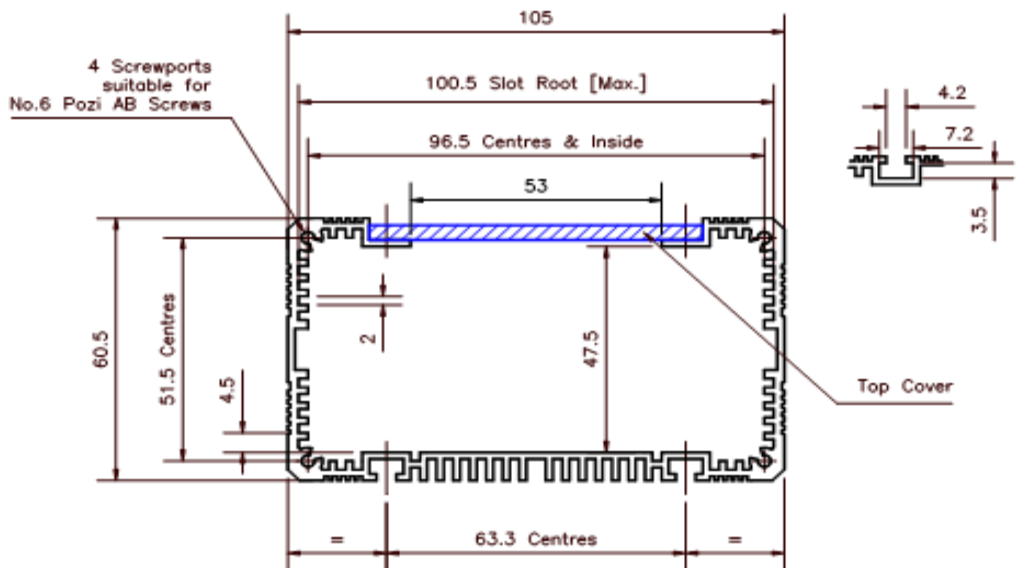
Enclosure Case – ¾ Euro Card 14-0XXX series:



Enclosure Case - Euro Card 14-1XXX series:



Enclosure Case - Euro Card with removable panel 14-2XXX series:



Enclosure Accessories:

Enclosure Case Wall Mounting Kit - Contains 2 brackets and associated screws and nuts

Vero Part #	To Suit	Part No	Width	Height	Length
14-3001	E005, E006 = 14-1XXX & 14-2XXX	E007/001	19	3	143
14-3002	E003 = 14-0XXX	E007/007	19	3	120

Enclosure Case Foot Mounting Kit - Contains 4 feet and associated screws and nuts

Vero Part #	To Suit	Part No	Dia	Height	Material
14-3003	All	E007/004	Ø16	11	Plastic

Enclosure Case IP rated Gasket Kit - Contains 2 gaskets

Vero Part #	To Suit	Part No	Width	Height	Length
14-3004	E005, E006 = 14-1XXX & 14-2XXX	E007/002	105	60.5	N/A
14-3005	E003 = 14-0XXX	E007/003	81.5	40	N/A

Enclosure Case Bevel to Suit E005 & E006 - Contains bevels and associated screws

Vero Part #	To Suit	Part No	Width	Height	Length
14-3006	E005, E006 = 14-1XXX & 14-2XXX	E007/010	105	60.5	N/A

Modification Service:

All of the above enclosures and end panels can be modified using our Modifications Service, Standard front panels for enclosures and sub racks, typically conforming to sizes specified in international standards, have one thing in common they will usually need to be modified to suit the application before they can be used.

Vero Technologies offer a rapid turn-round factory customisation service for its own manufactured cases and panels, a modification service for panels from other suppliers and bespoke panel fabrication to customer drawings with a maximum size of 480 x 400mm. Cases and Panels can be punched, drilled, multi-colour screen-printed, engraved, engraved with a coloured infill, fitted with polyester overlays, rebated to accept a flush-fitting membrane keypad and fitted with EMC gaskets.

Cut-outs can be within 1mm from the panel edge without distortion by using laser machining or extend through the edge by using three-dimensional CNC machining, enabling rebates and apertures to be created. Both plastic and metal panels can be modified; plastic panels and enclosures can be moulded in custom colours.

Specialist finishes can be applied to give EMC/RFI protection or anti-bacterial capability for use in medical instrumentation. Card mounting brackets, conductive and non-conductive fixings, handles, gaskets and sealing strips can all be supplied to meet specific project requirements.